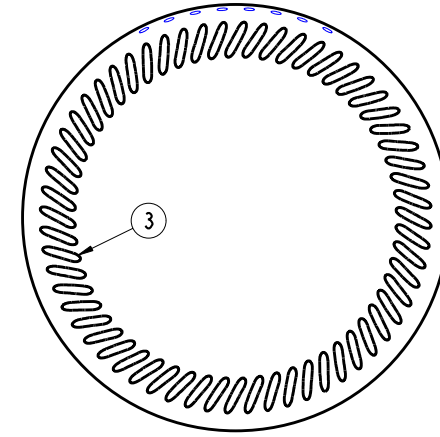
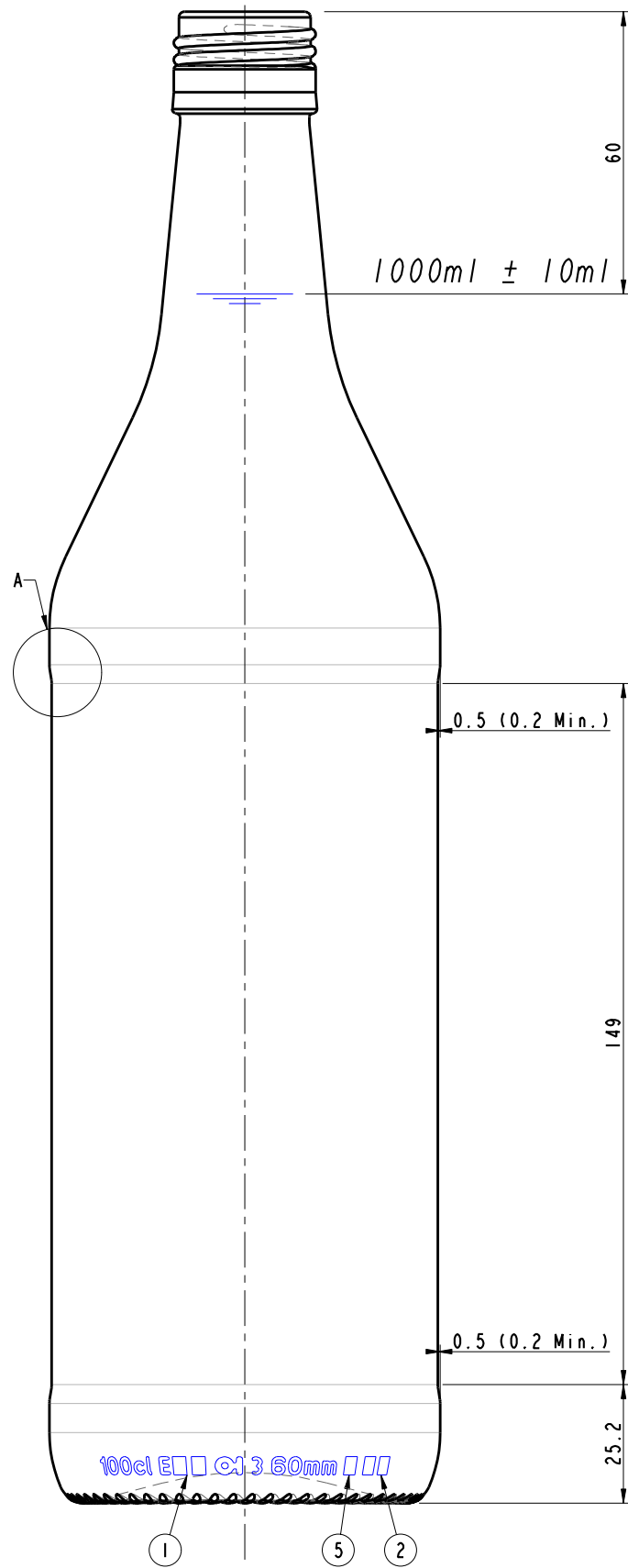
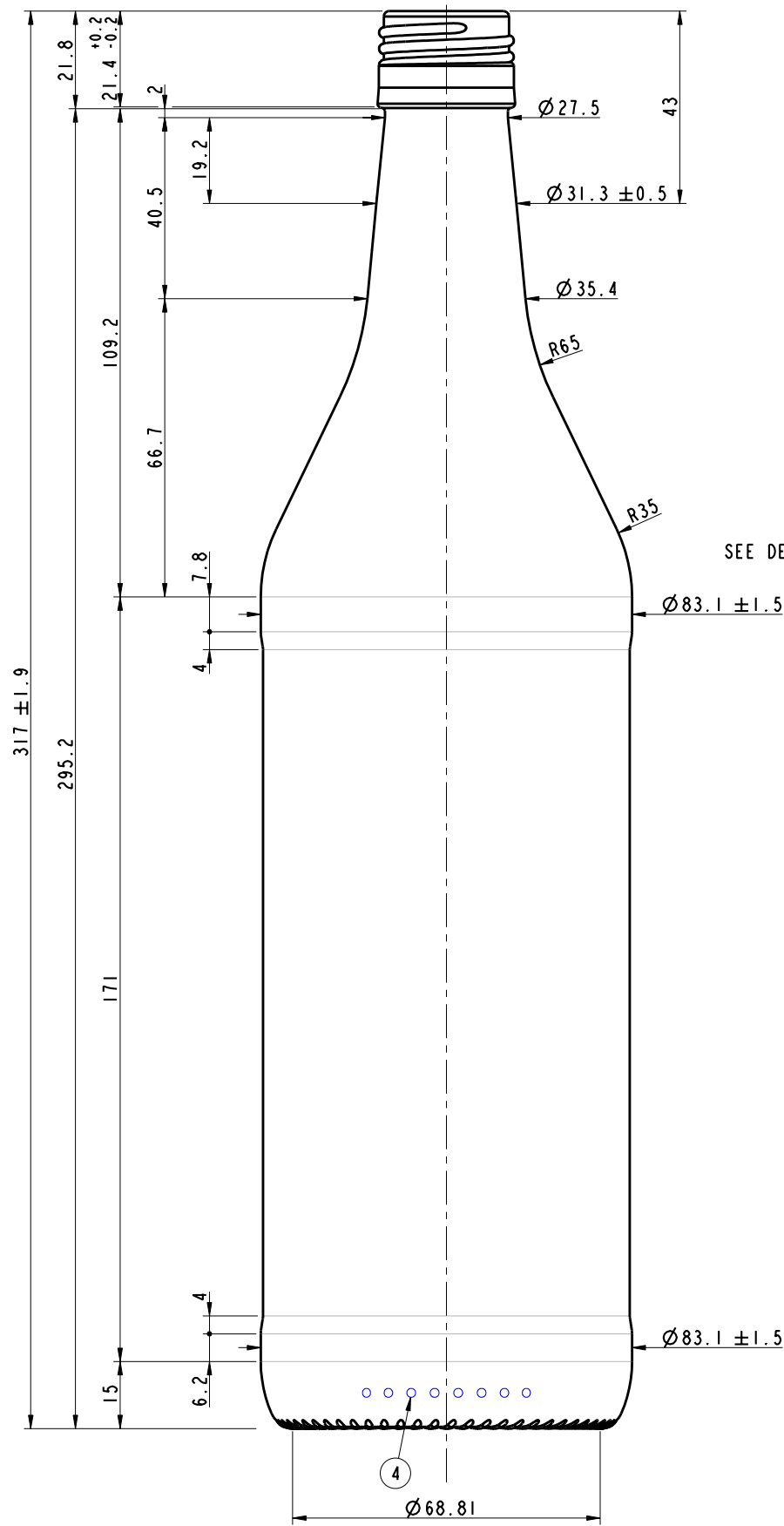


FINISH DESCRIPTION: UNI 7564 - 31.5 alta inserto antiriempimento

INSERT: YES



Pure Performance
Packaging 
SAFE • RECYCLABLE • SUSTAINABLE

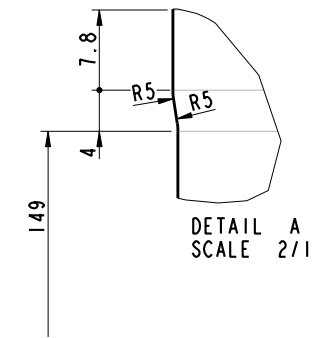
O-I Manufacturing Italy S.p.A.
via Washington, 70
20146 Milano, Italy
Tel. +39 0243463.1

CONTAINER & MOULD ENGINEERING
EUROPE

NOTES:
THIS DRAWING IS THE PROPERTY OF O-I AND
MUST NOT BE REPRODUCED OR DISCLOSED
WITHOUT O-I WRITTEN AUTHORIZATION.

ONLY TOLERANCED DIMENSIONS ARE GUARANTEED.

MANUFACTURING MARKINGS SHOWN ARE FOR ILLUSTRATIVE
PURPOSES ONLY; ACTUAL MARKINGS ON CONTAINER
MAY DIFFER, DEPENDANT ON LOCAL LEGISLATION.



CATEGORY SPIRITS	TLT ANGLE 16.67°
MAX. VERTICALITY TOLERANCE 3.5 mm	MEASURING CONTAINER YES
FINISH SAP NUMBER 0842	FINISH REF. UNI 7564 1988
MINIMUM THROUGH BORE 17.5 mm	MAX FILLING TUBE Ø 16 mm
CONTAINER OVERFLOW CAPACITY (BRIMFUL) 1025ml APPROX.	
CONTAINER RATED CAPACITY (FILLPOINT) 1000ml ± 10ml	
CONTAINER WEIGHT 460g APPROX.	
FINISH DESIGNATION IT_32_UNI 7564_H218_0842	MAX GAS VOLUME
PROCESS RETURNABLE NO	DESIGN REF. 8058A

STANDARD
100 cl VERMOUTH TV 31,5

DESIGNER	GP	DATE	03/03/10
CHECKED		DATE	
DRAWING NUMBER 100207	MOULD/SAP NUMBER 007489		

1 = TRADEMARK
2 = CAVITY No.
3 = STIPPLING
THE SHAPE OF STIPPLES IS ONLY AN
INDICATION AND THE CONSTRUCTION IS AT
THE PRODUCTION PLANT DISCRETION.
4 = CAVITY CODE

SCALE 1:1

TENTATIVE

No	DATE	REVISIONS	DESIGN/CHECK